



SAFE AND SECURE **METAL DOOR**



Ozone is a globally trusted brand for reliable and advanced Architectural Hardware Solutions. Operating on an international scale with prestigious business associates worldwide, we offer superior product solutions which meet global standards and best practices.

We at Ozone Overseas Ltd. offer complete Architectural Hardware Solutions through more than 3000 products, divided into 8 successful product categories.

WHY Ozone Metal Doors

The most reliable Metal/ Industrial doors, featuring safety & Security of both individuals & organizations with precise, tested, certified solutions. Ozone have complete line of various steel doors & frames to meet all commercial requirements; from Fire rated doors, Clean room doors, Partitions doors to Security doors.

Ozone is committed to high products & service quality. Equipped with latest production technology at our specialized factory in India (Himachal Pradesh). Computerised numerically controlled operations ensure consistent dimensions and finish. We go extra miles to understand and deliver product that are characterised by excellent quality, functional safety and a long service life. Our International presence makes us a strong, future oriented partner for industrial and public construction projects.



Stress free level leaf



Polyester powder coated



Lock formed edges



Prime quality stretched cold formed/ GP/SP sheets





Our **manufacturing** units are located in Himachal Pradesh (India). We are equipped with latest sheet metal processing machines, CNC laser cutting machines (AMADA), MIG/ TIG welding and Spot welding machines. We also have automatic powder coating plant to deliver consistent finish. We offers a wide range of **Certified** heavy duty Metal doors, ensuring total **security**.

Ozone metal door range covers from fireproof to acoustic doors , general safety doors for commercial and industrial purposes. Meeting international standards of quality and design Ozone Steel doors have been built keeping the needs of different industries in mind. Providing one-of-a-kind solutions for every need.



Our experience & expertise in having a complete range of **Certified & Rated Door Hardware** helps to provide a better and comprehensive solution to our customers. Our range of hardware includes Hinges, Locks, Panic bars & Door closer.

Innovation • Customer Service • Project Support





Fireproof series

Meant for protecting life in the event of a fire related emergency, Ozone's Fireproof Doors have fire resistant levels from 30 minutes up to 2 hours. Providing enough time for a safe escape. These door sets have options of glazing, fire resistant, self-closing louvers, single and double door sets for emergency exit. Certified with CBRI (Roorkee).



Fire-resistant



Double door sets for emergency exit

Caters to:

- High Rise Buildings
- Metro Railway Stations
- Airports
- Ships and freight/passenger liners
- Telecom Centers
- Power Plants/Industrial Plants
- Cellar Network Stations
- Garment Processing Units
- Shopping Malls
- Multiplexes
- Hotels/Restaurants
- Pharmaceutical/Food & Packaging
- Auditoriums
- Software Parks
- Electromes



FEATURES:

- **Rated**
Product that has been approved to withstand fire for a specified period of time
- **Listed or Approved**
Having been fire tested and approved through proper listing agencies
- **Labeled**
Product that is physically bearing a fire rating label from an approved agency

MATERIALS FOR FIRE RATED DOORS:

The door assembly's hardware must also carry the appropriate fire label.

- **Frame**
 - Sheet : GPSP Sheet 1.5mm Thick
- **Leaf**
 - Sheet : GPSP Sheet 1mm Thick
 - Infill : Rockwool (96kg/M3)
 - Glass : Schott Pyran/Wire Meshed Frame
 - Sheet : GPSP Sheet 1.5mm Thick
- **Lock System**
 - Emergency Exit : Panic Bar OZ-PB-2000R-SS
 - Standard : Mortise Lock OML-33
- **Pivot/Hinge**
 - SS Butt Hinge : OZ-SS-BH 4X3X3
- **Door Closer**
 - Overhead Door Closer : NSK-680
- **Other Hardware**
 - Kick Plate (Optional)
 - Concealed Tower Bolt (Double Leaf Door)
 - Drop Seal
 - Door Bumpers
 - Door Stopper

FIRE RATINGS:

Fire door assemblies have 5 ratings:

- 20 minute
- 45 minute
- 1 hour
- 1-1/2 hour
- 2 hour

The rating of a fire door assembly is based on the lowest rated component.

REQUIREMENTS:

- Fire ratings are granted by third-party testing agencies and are labeled on the products.
- The doors must meet the requirements of the International Building and International Fire Codes, as well as NFPA 80.
- Building codes dictate the fire rating requirements for the wall. This is based on the location of the wall, building use, and more. The fire rating of the wall dictates the required fire rating of the door.
- Fire doors are required to be self closing and positive latching.



Cleanroom series

These doors are designed to meet the most stringent requirements for clean room and hygienic applications. Designed for interior applications in humid or corrosive environments, these doors do not swell, rot, warp, rust or attract bacteria thus making the door extremely hygienic and perfect for the pharmaceutical, leisure, food, and healthcare sectors. Most facilities incorporate multiple pressure steps within the building's structure.

Caters to:

- Pharmaceutical and Food
- Processing Industry
- Hospitals
- Laboratories
- Semiconductor and
- Electronic Industries
- Computer Server Rooms
- R & D Labs





* X-RAY SHIELDING DOOR  * Available on specific demand



* HERMATICALLY DOOR  * Available on specific demand

Special series

Ozone's special series doors are suitable for high security applications areas. These doors can be hermetically sealed or X-Ray shielding doors.

DOOR PARAMETERS	
DOOR PARAMETERS	DOOR PARAMETERS
Maximum Door Weight	160 Kg / Leaf
Door Width	1070 mm to 1570 mm
Total Opening Width Required	2350 mm to 3350 mm
Installation Possibility	Surface Mounted
Opening Speed	25 - 55 cm/sec (Adjustable)
Closing Speed	25 - 55 cm/sec (Adjustable)

Caters to:

- Hospitals
- Hi-Security Labs
- R&D Centres





Industrial series

Built for heavy duty general purposes, Ozone's metal door sets have glazing in many configurations with air vents, louvers with a wide range of hardware. The doors are finished with epoxy polyester\pure polyester coat. General Doors are ideal for commercial enterprises to ensure compliance to safety and security parameters. No third party certification required.



Smooth surface



Heavy duty

Caters to:

- Commercial Buildings
- Shopping Malls
- Industrial Plants
- Multiplexes
- Auditoriums
- Metro Stations
- Hotels
- Airports
- Software Parks
- Recording Studios





Secure series

With special construction details and additional security hinges, Ozone's robust doors offer double protection against burglars and miscreants. They have multi point locks reinforced laminated cores and high security glazing producing a range of secure door sets that are suitable for high security applications. They also enhance ventilation while a main key activates multiple points of locking, thereby turning the door into a foolproof security system. No third party certification required.



Multiple points of locking



Enhanced ventilation



High security glazing

Caters to:

- Commercial Buildings
- Shopping Malls
- Industrial Plants
- Multiplexes
- Auditoriums
- Metro Stations
- Hotels
- Airports
- Software Parks
- Recording Studios





Acoustics Series

Our acoustic doors are manufactured with special construction, seals and structurally bonded cores offering a high level of sound reduction. Making way for a peaceful working environment. Acoustic doors reduce noise pollution in industrial, commercial and municipal buildings. Third party certification required BRE, Watford (UK)



High level of sound reduction



Special construction

Caters to:

- Architectural
- Airport Services
- Broadcasting
- Building Services
- Education
- Entertainment and Leisure
- Healthcare
- Industry
- Law Enforcement
- Manufacturing
- Power Generation



Standard Specification

- **Steel**

- Construction Leaf
- Construction Fram

- **Insulation**

- Honeycomb/Mineral wool

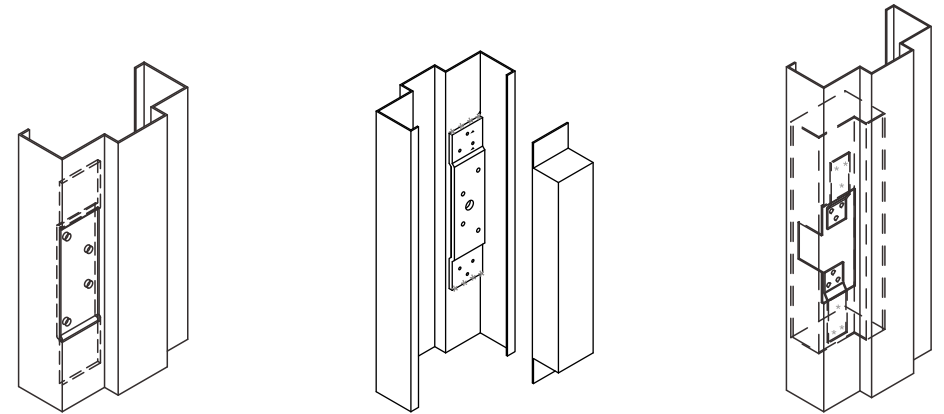
- **Glazing**

- Wired
- Float
- Toughened
- Fire rated

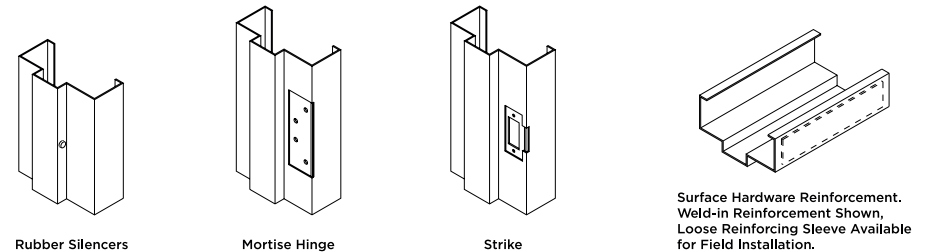
- **Paint/Finish**

- Epoxy Polyester
- Pure Polyester

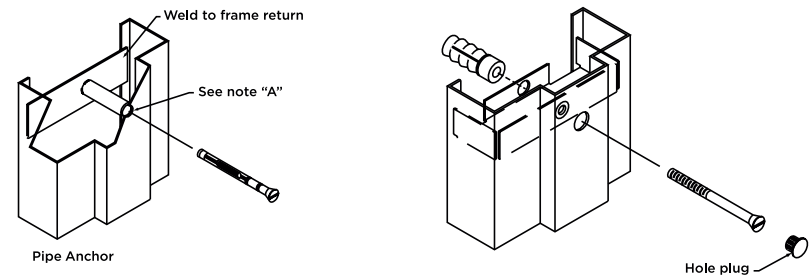
Door Frame Construction



Hardware Preparations

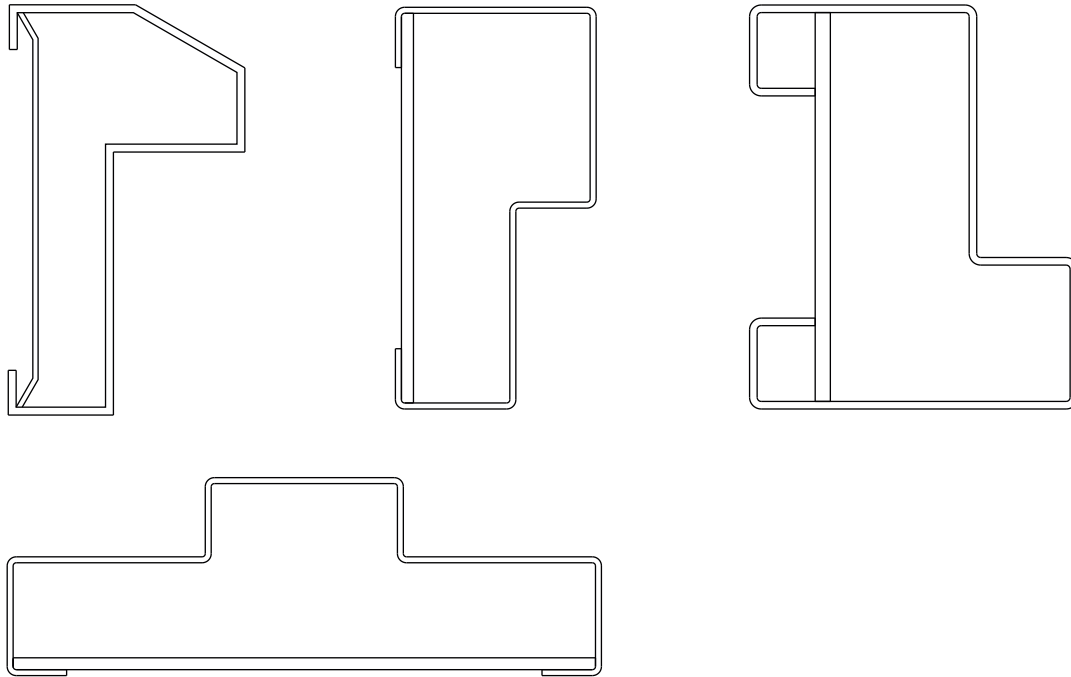


Wall Fixing Anchor Detail

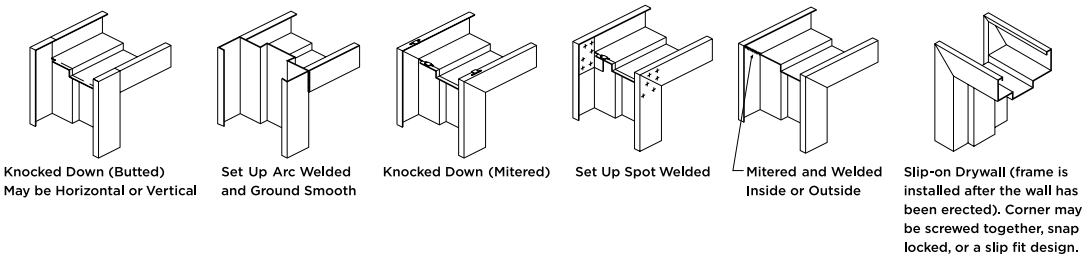


Frame Profiles

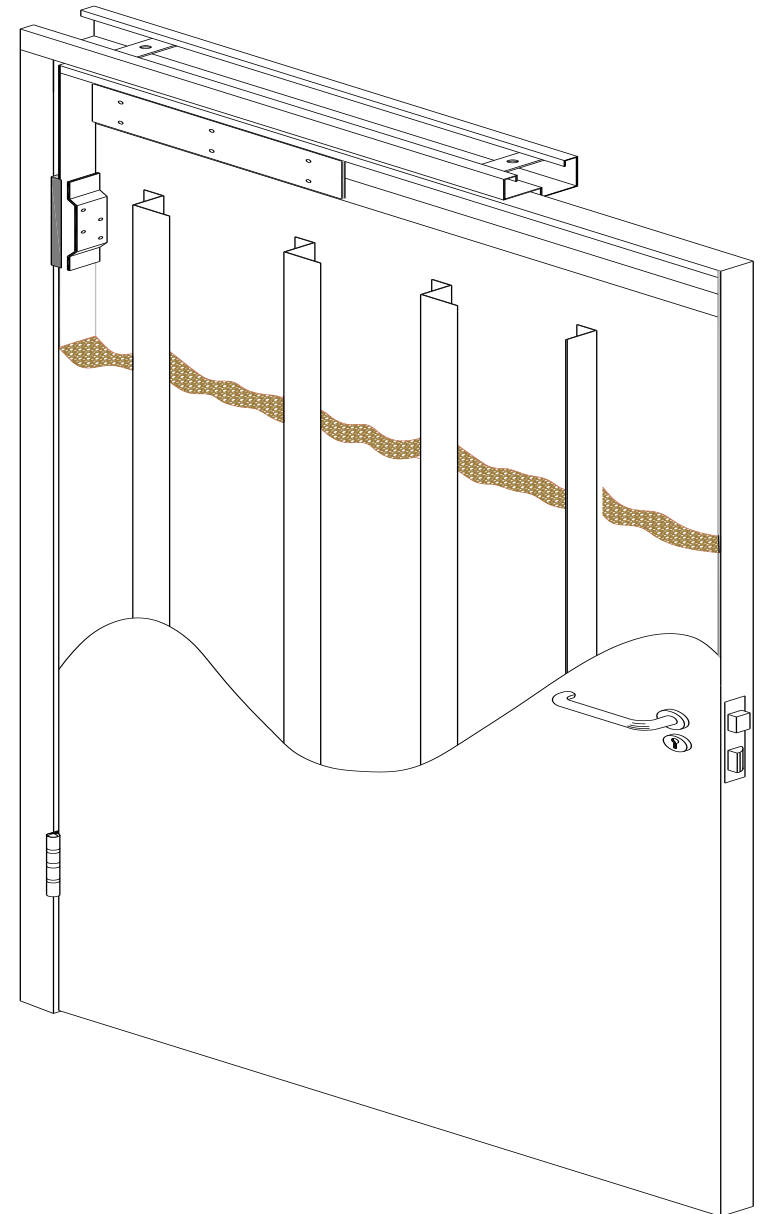
Standard Frame detail



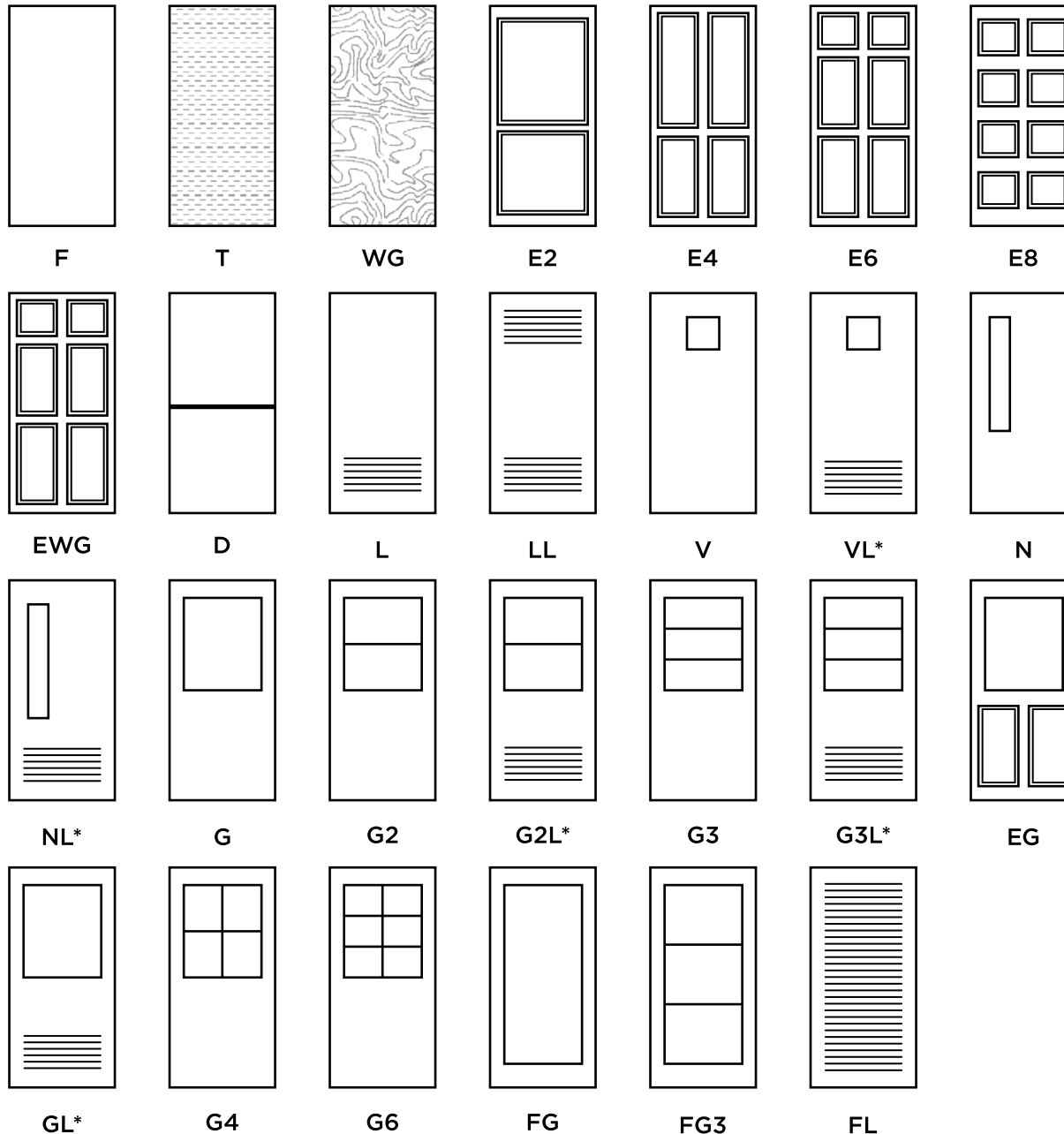
Corners



Door Leaf Construction



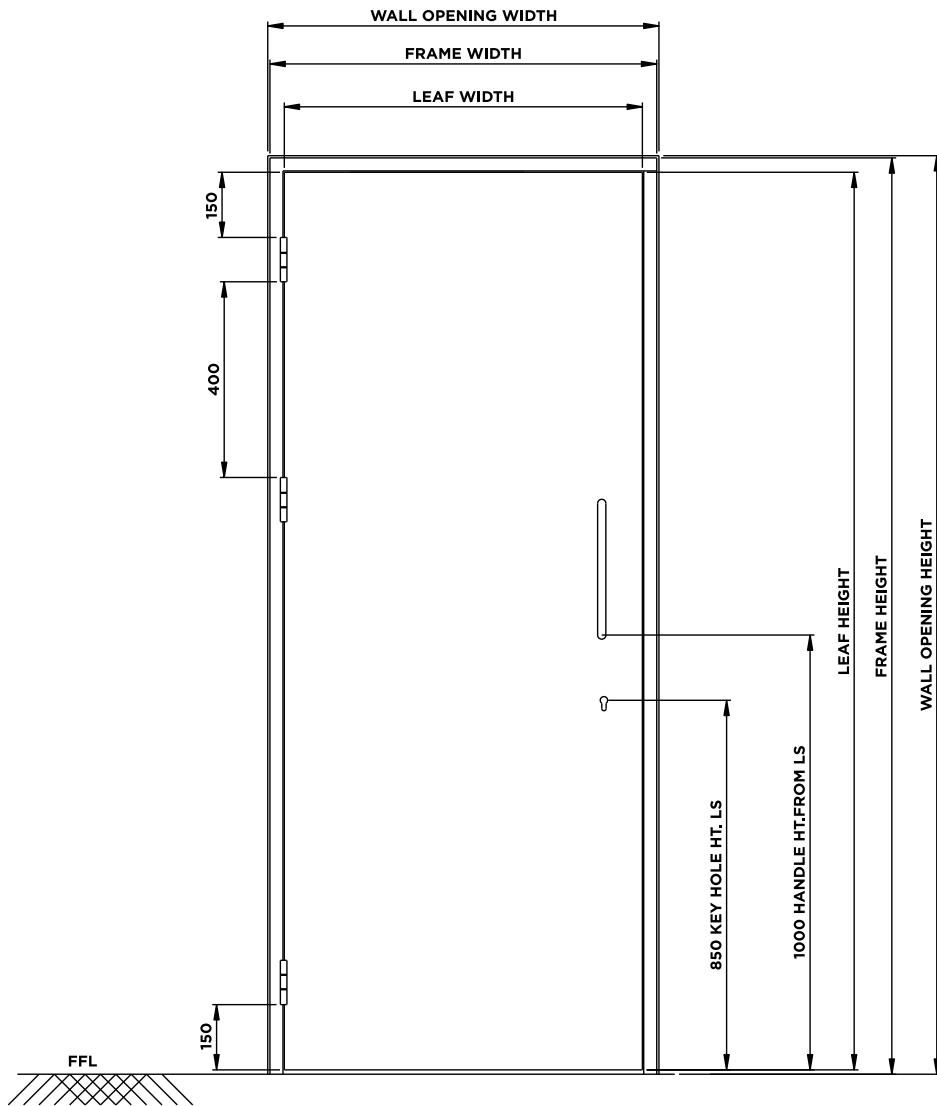
Door Leaf Design



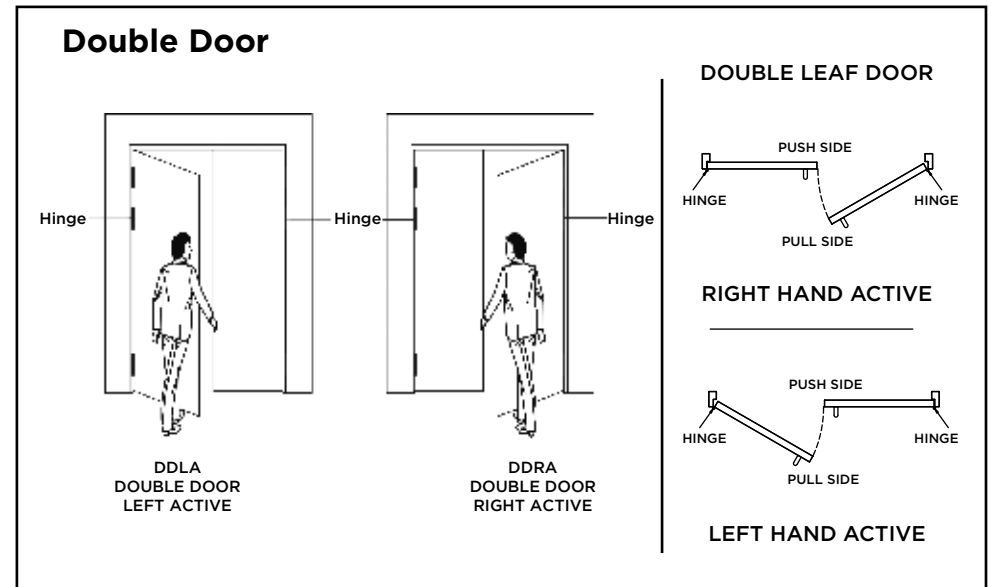
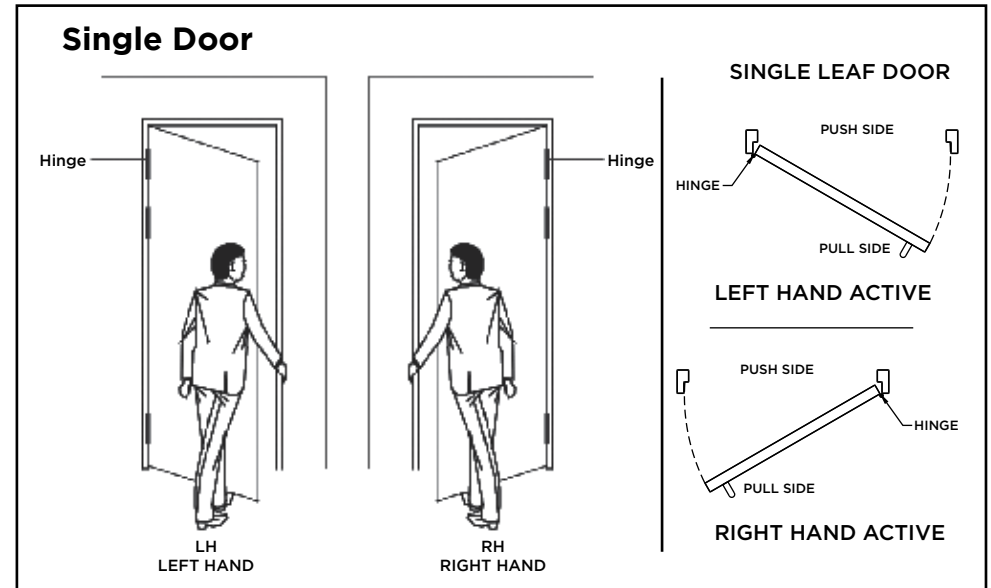
Nomenclature Letter Symbols

- F** - Flush
- T** - Textured
- WG** - Wood Grain
- E2** - 2 Panel Embossed
- E4** - 4 Panel Embossed
- E6** - 6 Panel Embossed
- E8** - 8 Panel Embossed
- EWG** - 6 Panel Embossed and Wood Grain
- D** - Dutch Door
- L** - Louvered (top or bottom)
- LL** - Louvered (top and bottom)
- V** - Vision Light
- VL** - Vision Light and Louvered
- N** - Narrow Light
- NL** - Narrow Light and Louvered
- G** - Half Glass
(options G2, G3, G4 and G6)
- EG** - Embossed and Half Glass
- GL** - Half Glass and Louvered
- FG** - Full Glass (option FG3)
- FL**

Hardware Location



Handings



Door Hardware

- **Door Closer**
 - Overhead Door Closer
 - Concealed Door Closer
 - Electromagnetic Door Closer
- **Handles**
 - Door Handle
 - Lockbody
- **Hinges**
 - SS Butt Hinge
 - Concealed Hinge
- **Panic Hardware**
- **Flush Bolt**
- **Drop Seal**




Door Closer

• Overhead Door Closer

<p>DOOR CLOSER ON GLASS DOOR</p> 	<p></p> <p>EN 1154 Tested</p> <p>NSK-680</p> <ul style="list-style-type: none"> • Tested 5,00,000 Cycles • Door Weight Upto 80 Kgs. • EN 2/3/4 • Tested EN 1154 • Color - Silver / Golden / Brown / Antique Brass 	<p></p> <p>NSK-680-A</p> <ul style="list-style-type: none"> • Tested 5,00,000 Cycles • Door Weight Upto 80 Kgs. • EN 2/3/4 • Color - Silver 
<p></p>  <p>NSK-980</p> <ul style="list-style-type: none"> • Tested 5,00,000 Cycles • Door Weight Upto 80 Kgs. • Tested EN 1154 • With Track Arm (SS Finish) • Slide in SS Cover 	<p></p> <p>EN 1154 Tested</p>  <p>NSK-6825</p> <ul style="list-style-type: none"> • Tested 5,00,000 Cycles • Door Weight Upto 100 Kgs. • EN 2/3/4/5 • Color - Silver 	<p></p> <p>EN 1154 Tested</p>  <p>NSK-780</p> <ul style="list-style-type: none"> • Tested 5,00,000 Cycles • Door Weight Upto 100 Kgs. • Power adjustable • Color - Silver
<p></p> <p>EN 1154 Tested</p>  <p>NSK-880</p> <ul style="list-style-type: none"> • Tested 5,00,000 Cycles • Door Weight Upto 120 Kgs. • TESTED EN 4135113 • Power adjustable • Color - Silver 	<p></p>  <p></p> <p>EN 1154 Tested</p> <p>NSK-CA-6800</p> <ul style="list-style-type: none"> • Tested 5,00,000 Cycles • Cam Action Door Closer • Max. Door Weight Upto 80 Kgs. <p>(Cam Action Technology)</p>	

Door Closer

• Concealed Door Closers

 <p>CDC-3800-U</p> <ul style="list-style-type: none"> • Tested 5,00,000 Cycles • Concealed Door Closer. • Max. Door Wt. Upto 60 kg. • Tested EN 1154 	 <p>CDC-4800</p> <ul style="list-style-type: none"> • Tested 5,00,000 Cycles • Concealed Door Closer. • Max. Door Wt. Upto 100 kg. • Tested EN 1154 <p>POWER ADJUSTABLE WITH BACK CHECK</p>	 <p>CDC-CA-6800</p> <ul style="list-style-type: none"> • Tested 5,00,000 Cycles • Concealed Door Closer. • Max. Door Wt. Upto 80 kg. <p>(Cam Action Technology)</p>
--	---	--

• Electromagnetic Door Closers (* Available on specific demand)

 <p>* NSK-980-EMHO-TA</p> <ul style="list-style-type: none"> • Finish - SS • Door Closer with Electromagnetic Hold Open • Track Arm without Smoke Detector 	 <p>* NSK-980-EMHO-SA</p> <ul style="list-style-type: none"> • Finish - SS • Door Closer with Electromagnetic Hold Open Scissor • Arm without Smoke Detector 	 <p>* NSK-980-EMHO-TA-S</p> <ul style="list-style-type: none"> • Finish - SS • Door Closer with Electromagnetic Hold Open • Track Arm with Smoke Detector 	 <p>* NSK-980-EMHO-SA-S</p> <ul style="list-style-type: none"> • Finish - SS • Door Closer with Electromagnetic Hold Open • Scissor Arm with Smoke Detector
--	---	--	---

• Accessories (for overhead door closer)

 <p>*ODC-AC-PB Parallel Arm Bracket (Available on Special Demand)</p>	 <p>ODC-ARM SS Stainless Steel Arm for NSK 780 & 880</p>	 <p>ODC-ARM HO Hold Open Arm for NSK 780/880 Door Closer</p>	 <p>NSK-980-COVER Stainless Steel Door Closer Cover for NSK 980</p>	 <p>ODC-ARM TR-HO Track Arm with Hold Open Function</p>	 <p>NSK-ACC-780-PLATE Plate for Mounting Door Closer on glass</p>
---	--	---	---	---	---

Handle

- Lever Handle

 <p>OMH-11 C Mortise Handle in SSS Finish (Solid Casted)</p>	 <p>OMH-22 C Mortise Handle in SSS Finish (Solid Casted)</p>	 <p>OMH-33 C Mortise Handle in SSS Finish (Solid Casted)</p>	 <p>OMH-44 C Lever Handle in SSS Finish</p>
 <p>OMH-11 L-Shape Mortise Handle in SSS Finish</p>	 <p>OMH-11 N L-Shape Mortise Handle in SSS & PSS Finish</p>	 <p>OMH-11 L Lever Handle in SSS Finish</p>	 <p>OMH-11 L N Lever Handle in SSS Finish</p>
 <p>OMH-33 D-Type Mortise Handle in SSS Finish</p>	 <p>OMH-33 P D-Type Mortise Handle in SSS Finish with Plate</p>	 <p>OMH-44 Mortise Handle in SSS Finish</p>	 <p>OMH-55 Mortise Handle in SSS Finish</p>

Handle

- Lever Handle



OMH-SQ-11
Lever Handle in SSS Finish



OMH-SQ-22
Lever Handle in SSS Finish



OMH-SQ-33
Lever Handle in SSS Finish

- Orbital



OCKL-11
Knob Lock with Key Operation & Push Button



OCKL-22
Knob Lock with Push Button & Coin Release



OCKL-33
Knob Lock with both side Active Knobs



OCKL-T-E 60MM
Knob Lock with Key Operation & Push Button



OCKL-T-B 60MM
Knob Lock with Push Button & Coin Release



OCKL-T-P 60MM
Knob Lock with both side Active Knobs

Handle

- Back to Back Installation Handle **SS 304**



OGH-11
Glass door handle
back to back installation.



OGH-55
Glass door handle
back to back installation.



OGH-77
Glass door handle
back to back installation.



OGH-88
Glass door handle
back to back installation.

- Pull Side Handle Push Side Push Plate



Lock Body



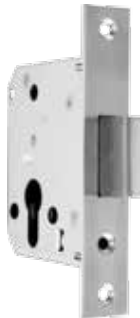
OML-11-BT
Closed Body Mortise Strike Plate
Only Soft closing latch bolt.



OML-11 A
Closed Body Mortise lock with
Strike Plate. Double throw dead
bolt & Soft closing latch bolt



OML-22A-4P
Closed Body Mortise lock with
Strike Plate. Double throw
cylindrical dead bolt & Soft
closing latch bolt



OML-33
Mortise lock bod-Fire Rated
with dead lock & latch bolt



OZML-DL1-SS-55
Closed Body Mortise lock with
Strike Plate. Double throw
dead bolt



OZML-L1-SS-55
Closed Body Mortise lock
with Strike Plate. Only Soft
closing latch bolt

Hinges

- Fire Rated Butt Hinge **SS-304** 



OZ-SS-BH 4x3x3
Finish-SSS



- Adjustable Concealed Hinge



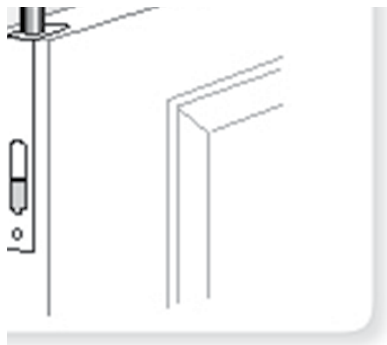
OZ-WD-ACH 60 LEFT/RIGHT
Triple Adjustable Wooden Door Hinge
(for Door Wt. -60 Kg. with 2 Hinges)



Panic Bar Hardware



Concealed Flush Bolt



OZ-CFB-DP
Concealed Flush Bolt
Finish : SSS

Drop Down Seal



OWDS-11
Drop Down Seal
Finish : SSS

Corporate Office



New Delhi

H-40, Bali Nagar,
New Delhi-110 015
T : +91-11-45576677 (30 Lines)
Fax: +91-11-45576699
e-mail: ozone@ozone-india.com

Works

Ozone Metallics Pvt. Ltd.
Trilokpur Road, Kheri Nahan,
District-Sirmour, Kala Amb
Himachal Pradesh

International Offices



Dubai, UAE

Ozone Resources Mid East Fzc.
e-mail : info@ozonehardware.com
website : www.ozone-mideast.com



Melbourne, Australia

Ozone Australia Pty. Ltd.
e-mail : info@ozoneaustralia.com.au
website : www.ozoneaustralia.com.au



Toronto, Canada

Ozone Resources Ltd.
e-mail : harry@ozonecanada.com
website : www.ozonecanada.com

New Delhi

1/122, Timber Mkt., Kirti Nagar,
New Delhi
T : +91-11-49124400, 01
E-mail: delhihub@ozone-india.com

Bengaluru*

SPD Plaza, Koramangala, Bengaluru
T : +91-80-41207539
E-mail: blrhub@ozone-india.com

Chennai*

No.28/1, Rajaratinam Street, Kilpauk,
Opp. Marvel Hotel, Chennai - 600010
T : +91-44-42696965, 67
E-mail: chennaihub@ozone-india.com

Jaipur*

Sunny Mart, New Atish Mkt., Jaipur
T : +91-141-2399521
E-mail: jaipurhub@ozone-india.com

Branch Offices

Ahmedabad

407,4th Floor, Shivalik Abaise,
Opp.Shell Petrol Pump, Prahaladnagar,
Ahmedabad - 380 051

Mumbai

The Avenue Shelter, 6th Floor,
Gala no. 607-608, International Airport Road,
Marol Naka, Navdada Andheri (East), Mumbai
T : +91-022-28506453

*Also Branch Offices

www.ozone-india.com | India Customer Care: 09310012300 | ozone@ozone-india.com

